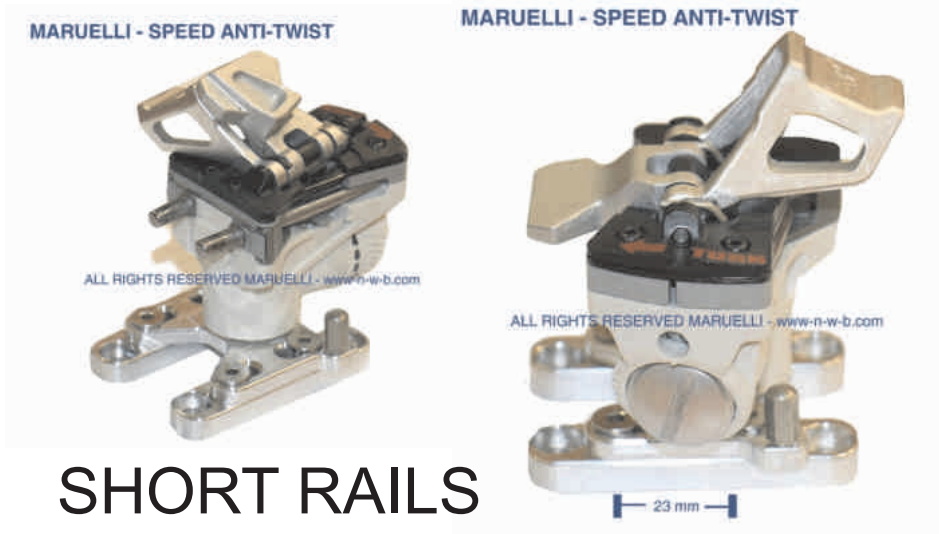


SPEED ANTITWIST + ADAPTERS



SHORT RAILS



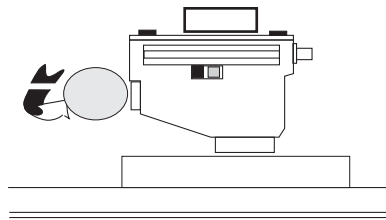
RENTAL LONGER RAILS

REMOVE THE INTHERNAL PIN AND SPRING

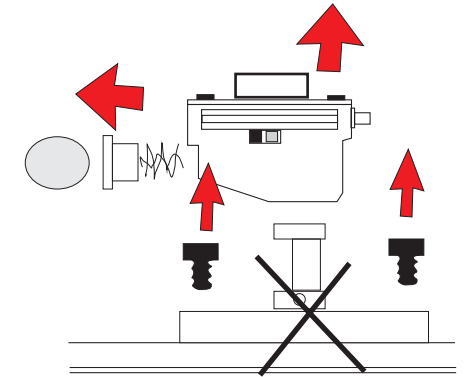
- Prepare a clean free table
- Find 1 flat washer or coil

Be patient: if in this operation the binding will be totally dismantled you can easy remount its parts.

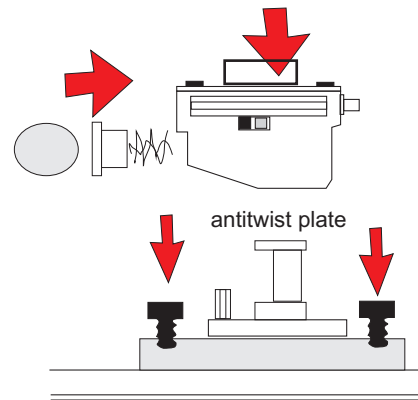
- 1) Unscrew the big ALU BOLT using a flat washer or a coil.



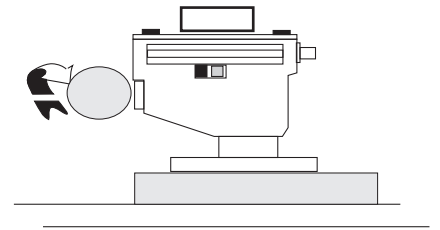
- 2) Remove the 3mm pin and its spring



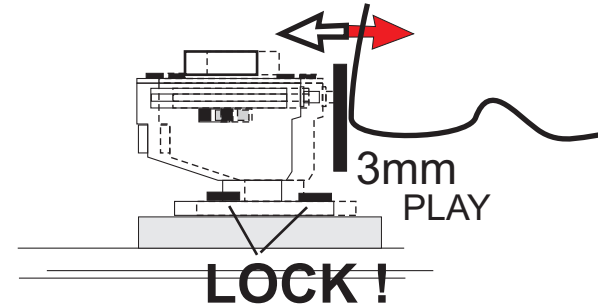
- 3) Re insert the plastic housing
- re-insert the 2 big spring
- screw the back Alu tap



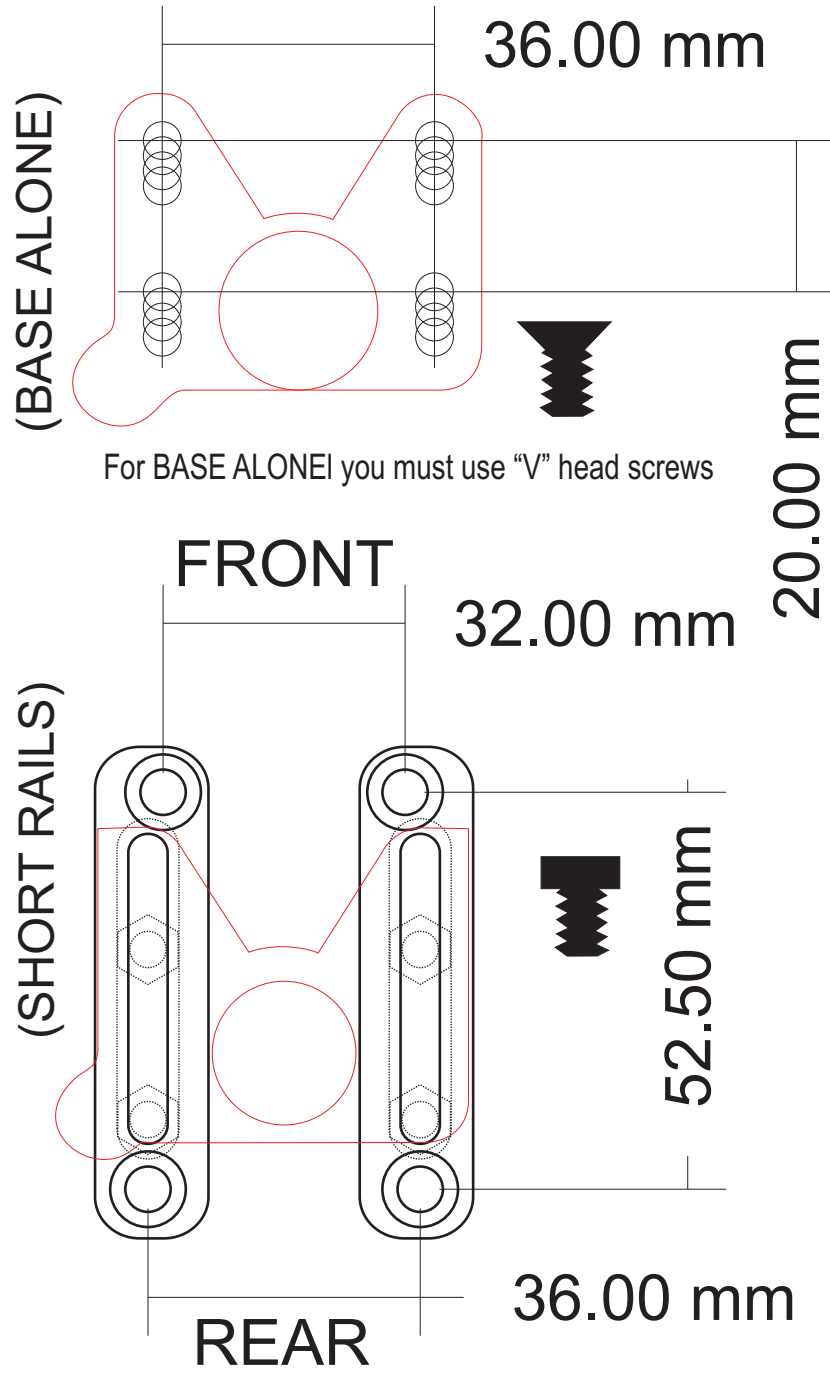
- 4) Adjust release charge to your weight



- 4) Adjust & LOCK horizontal position for Boot

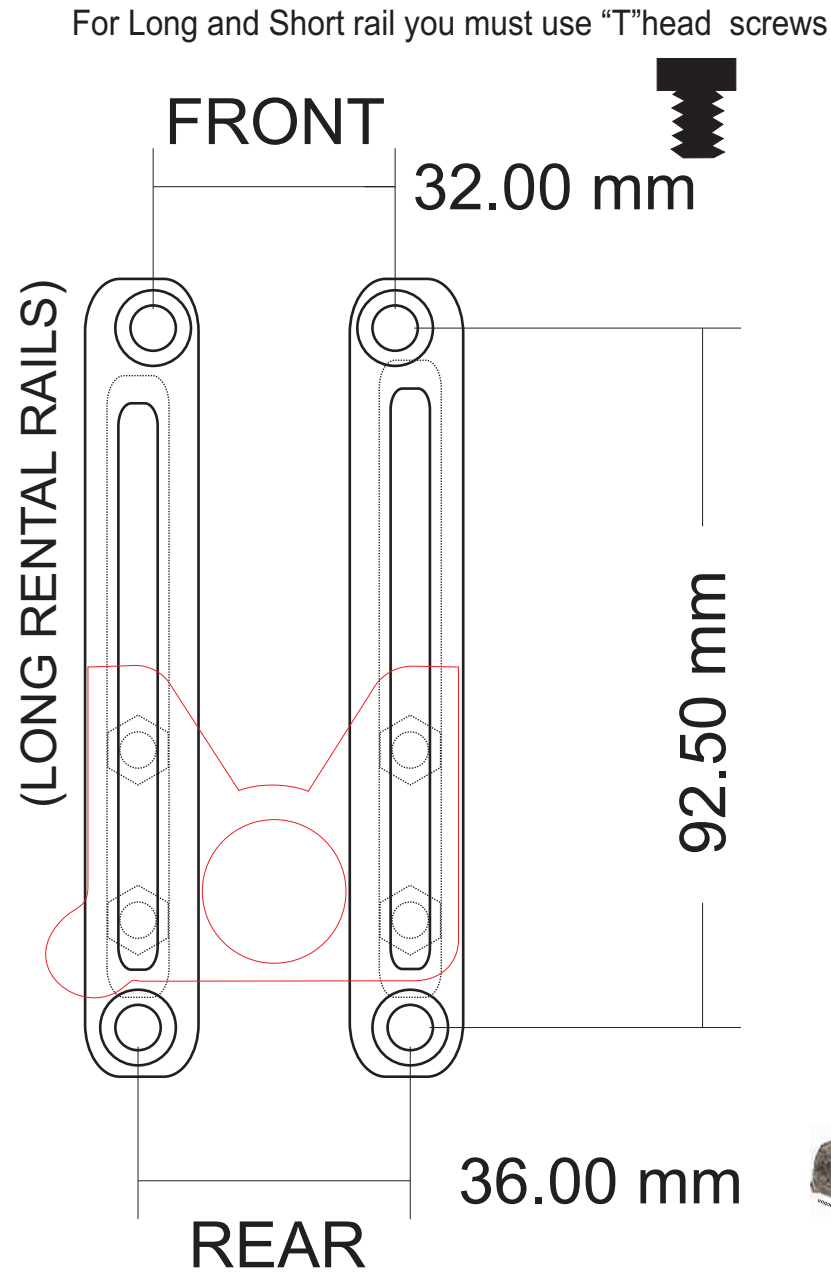


MARUELLI SPEED ANTITWIST SHORT VERSION:



YOU CAN USE THE STANDARD DYNAFIT^(R) DRILLING MASK FOR SHORT AND LONG RAILS

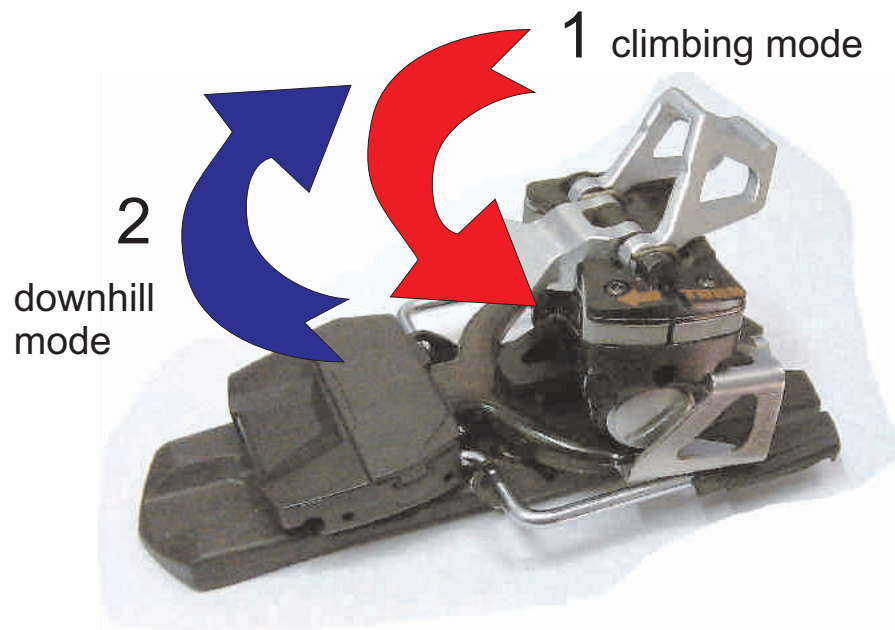
MARUELLI SPEED ANTITWIST RENTAL VERSION:



Montalto Dora - To - Italy 0039-(0)125-650006
www.maruelli.com info@maruelli.com

Now your binding is safe !

- 1) To put in climbing mode turn COUNTER CLOCK WISE
- 2) To put in downhill mode turn CLOCK WISE



V. Polisen 30
10016 Montalto Dora - TO - Italy
+39(0) 125-650851 Mob. +39-348-2295477
fax: +39(0) 125-651505 - info@maruelli.com

RADICAL ANTITWIST after market **ULTIMATE** solution

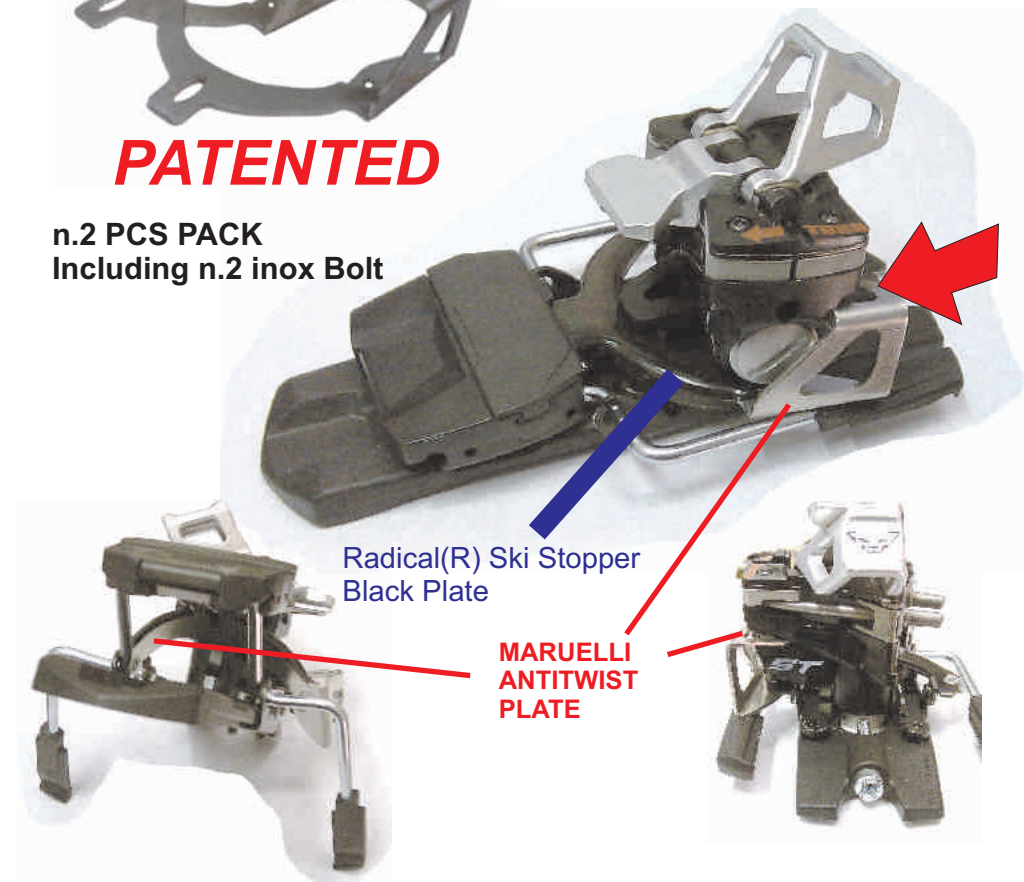
Cod. RADANTI

- Easy installation
- No more problems
- Inox made



PATENTED

n.2 PCS PACK
Including n.2 inox Bolt



STOP undesiderate twist !
no more breaking problems !